

RECOMMENDED AREAS FOR CONDUIT ENTRY.

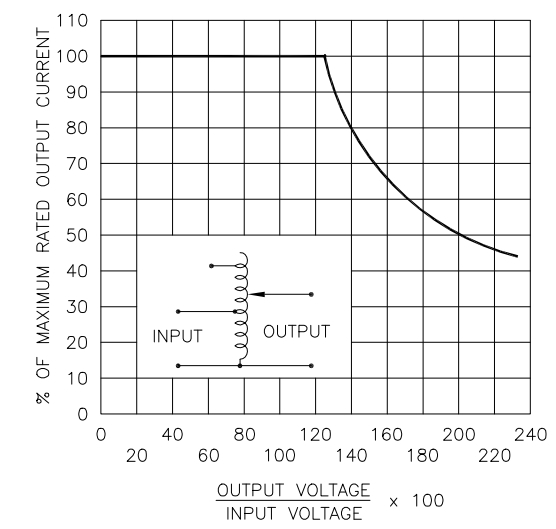
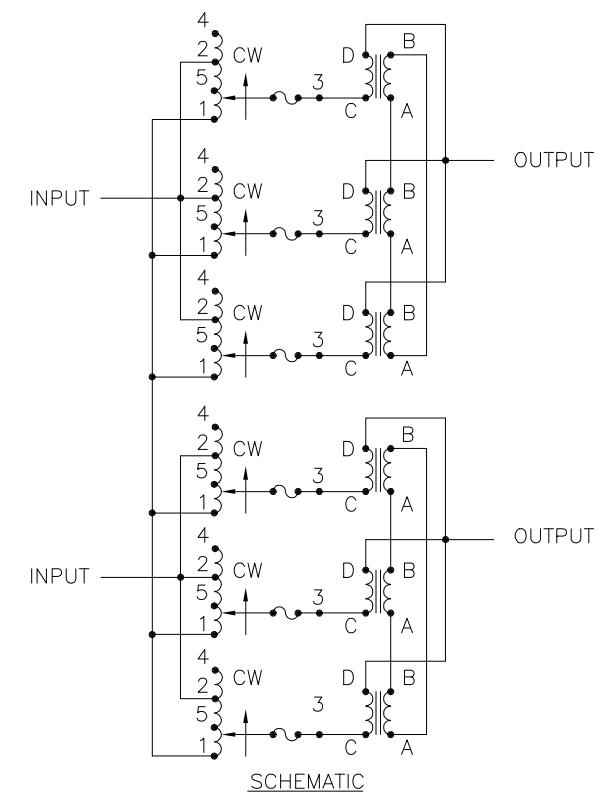
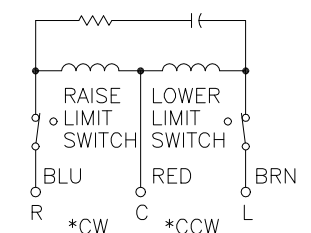


FIGURE A  
 MAXIMUM OUTPUT CURRENT OF ANY DUAL INPUT VOLTAGE OR VOLTAGE DOUBLER UNIT OPERATED AT LOWER INPUT VOLTAGE.



MOTOR CIRCUIT  
 120V, 50/60 HZ  
 \* ROTATION AS VIEWED FROM MOTOR END  
 MOTOR SPEED: SEE CHART

# MAXIMUM OUTPUT CURRENT IN OUTPUT VOLTAGE RANGE FROM 0 TO 25 PERCENT ABOVE LINE VOLTAGE. AT HIGHER OUTPUT VOLTAGES, OUTPUT CURRENT MUST BE REDUCED ACCORDING TO RATING CURVE (SEE FIGURE A).  
 ++ MAXIMUM KVA AT MAXIMUM OUTPUT AND CORRESPONDING DE-RATED CURRENT. MAXIMUM KVA AT LOWER OUTPUT VOLTAGES MAY BE CALCULATED FROM RATING CURVE, (SEE FIGURE A).  
 V.D. = VOLTAGE DOUBLER.

SPEED (SECONDS)	MODEL NUMBER
15	15M6020E-6PS
30	30M6020E-6PS
60	60M6020E-6PS

WIRING	INPUT		OUTPUT			SHAFT ROTATION FOR VOLTAGE INCREASE	TERMINAL CONNECTIONS FOR INCREASING VOLTAGE AS VIEWED FROM TOP	
	VOLTS	HERTZ	VOLTS	CONSTANT CURRENT LOAD			INPUT	OUTPUT
				MAX. AMPS	MAX. KVA			
SINGLE PHASE SERIES PARALLEL	480	50/60	0-480	105	50.4	CW	4-4	D-D
			0-560	105	58.8	CW	2-2	D-D
	240	50/60	0-560	105 #45 V.D.	25.2 ++	CW	5-5	D-D

UNLESS OTHERWISE SPECIFIED, TOLERANCE IS ± DECIMALS .XX .XXX .12 .03 .1° .1° 1-1/2° UNITS IN [mm]

MATERIAL: ALL DIMENSIONS APPLY AFTER PLATING

TITLE: SPEC. CONTROL DRAWING MOTORIZED VARIABLE XFMR. M6020E-6PS

STACO ENERGY PRODUCTS CO. A Components Corporation of America Company 302 South Boulevard Dayton, Ohio 45403 USA

DRAWN BY: TIM RAU DATE: 11/20/96 FIRST USED ON: M6020E-6PS DO NOT SCALE DWG.  
 CHECKER: DATE: WEIGHT APPROX. CAGE CODE: 83008  
 ENGINEER: DATE: SCALE: .2=1 SHEET 1 OF 1

DWG. NO. 032-7832